

TYLÖ



WHAT IS INFRARED?

Infrared “heat energy” is actually heat-creating invisible light waves. Infrared saunas produce an invisible light wave that penetrates the body in order to raise the core body temp and, in turn, create sweat. Our bodies produces the same kind of infrared waves as for example the sun. We receive these waves from many different sources.

Our Infra cabins have the lowest electromagnetic radiation (EMR) of any infrared delivery system available—levels far below even Sweden’s tough radiation standards. And the exclusive EvenHeat™ system makes sure every single part of you is warmed evenly—providing added comfort and true full body detoxification without the worry of excessive exposure to EMR.

THE
HEALTHIEST
INFRARED
AVAILABLE
ANYWHERE

We have the best technology available today for producing highly effective far-infrared waves.



RELAX AND DETOX

With rapid heat-up time, your infrared room is energy efficient and ready-to-go at the blink of an eye. Experience the deep-penetrating heat that infrared heat therapy rooms and panels can provide. The infrared waves reach deeper into your tissues, relieving aching muscles of pain and stiffness.



WHY INFRARED BATHING?

TIME-FRIENDLY There's no waiting for an infrared sauna to heat up, so you can easily enjoy its benefits anytime.

PLANET-FRIENDLY Even with daily use, Infrared technology uses as little or less electricity than many other common household appliances.

FAMILY-FRIENDLY Infrared saunas are safe and easy to use for kids and adults alike.

RELEASES MUSCLE TENSION AND HELP PREVENTS INJURIES The gentle warmth of infrared heat therapy rooms loosens muscle knots and relieves back pain. For active people the infrared treatment releases muscle tension and helps to prevent injuries and regenerate faster from training.

PREVENT THE FLU AND COMMON COLD Infrared sauna boosts blood circulation and helps stimulating the production of white blood cells, aiding the immune system in its response to virus and bacteria. Regular sauna bathing dramatically lowers the risk of catching common colds, even those caused by viruses.

STRESS LESS AND RELAX MORE Finding stress relief and ways to relax is fundamental to our health. Infrared sauna promotes relaxation and balances the body's levels of cortisol. Cortisol is a stress hormone, and excessive amounts of it can result in many different health issues such as a weaker immune system, weight problems and insomnia. The heat also raises that amount of serotonin, the "feel good-hormone", in our blood.

SUPPORTING HEART HEALTH The high temperatures in the sauna increase the heart rate, thereby giving the heart a healthy "workout". Infrared saunas can also lower blood pressure, something that provides a similar effect.

TYLÖ INFRARED T-SERIES FEATURES



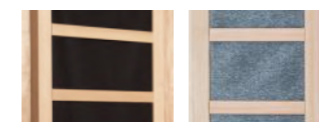
Handle

Handle that doubles as a towel rack on the outside and a tablet holder on the inside.



Floor

The CarbonFlex® floor plate with infrared heat is in matching colour with the panels (Grey or Black) for a co-ordinated look.



Panel colour

All models are available in grey or black cloth to match the environment in your room.



Lightning

Indirect lightning for the best relaxation. RGBW for colour choices.



COME OUT FEELING STRONGER, HEALTHIER AND IN BETTER BALANCE



Panels

Horizontal wood panels so the room is more harmonized.



Speakers

Bluetooth audio



Seats

Rounded seats so more comfortable for your legs.



New control panel

- Wi-Fi capability
- Mobile app available with worldwide functionality from anywhere there is cell or data service
- Dimensions: H 141 mm, W 84,5 mm, D 8 mm
- Intuitive display (time/temp/lighting/system status)
- 24-hour time delay via Mobile App
- 60-minute timer
- Built-in RGBW light control with dimmer
- Built-in Bluetooth audio
- Voice control compliant with Alexa, Google and Siri



WI-FI

Desktop PC

Android/iOS

Bluetooth



INFRARED ROOMS

QUALITY
LUXURIOUS
EASY-FIT

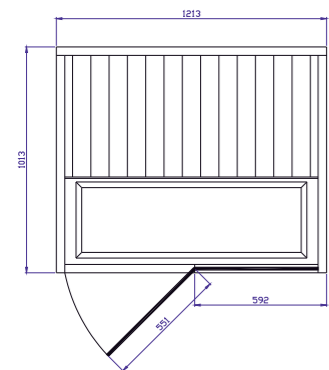
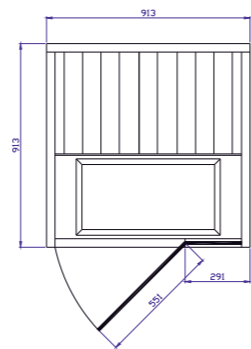
Fast assembly with no tools—with wall panels mounted onto an easy-fit base and topped with easy-fit ceiling panel. Prefabricated wall panels, benches and floor in clear Hemlock—for a sauna with “furniture quality”. The exterior surfaces are finished with biodegradable wood treatment—for a more luxurious look and for ease of maintenance. The CarbonFlex® infrared heaters, integral with wall panels, with heater surface area and wattage designed to give even, enveloping heat on all sides.

T-810 SERIES 1-PERSON

Ideal for those having minimal space available and/or for those using their sauna solo. The diminutive T-810 may be compact but it has the same luxurious features as larger models: Low EMR, all-glass front wall, trimodal with valance lights and colour light therapy. “Lack of space” is no longer a limitation. This model can be installed into a corner of almost any room.

Dimensions: W 913 x D 913 x H 1938 mm

Infra Cabin T810 Black Item no. 95109950. **Infra Cabin T810 Grey** Item no. 95109960.



T-820 SERIES 2-PERSON

One of our most popular models, the T-820 is perfect for one or two people. This IR sauna has the same luxurious features as all T models: Low EMR, all-glass front wall, trimodal lighting with valance light and colour light therapy. It can be easily incorporated into an in-home workout area, or even in the master bedroom.

Dimensions: W 1213 x D 1013 x H 1938 mm

Infra Cabin T820 Black Item no. 95109952. **Infra Cabin T820 Grey** Item no. 95109962.



T-810 SERIES 1-PERSON



T-870 SERIES 3-PERSON



T-820 SERIES 2-PERSON



T-825 SERIES 2 TO 3-PERSON

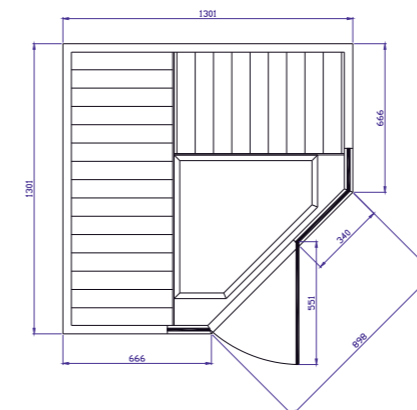
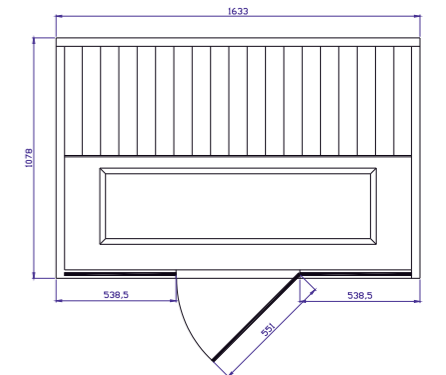
T-825 SERIES 2 TO 3-PERSON

A roomier version of the popular T-820, this beautiful sauna is for two or three people and has the same luxurious features as all T models: Low EMR, all-glass front wall, trimodal lighting with valance light and colour light therapy.

Dimensions: W 1633 x D 1078 x H 1938 mm

Infra Cabin T825 Black Item no. 95109954.

Infra Cabin T825 Grey Item no. 95109964.



T-870 SERIES 3-PERSON

Model T-870 combines great design with incredible space efficiency. With its 5-sided design it's ideal for two or three people and can fit into almost any space.

Dimensions: W 1301 x D 1301 x H 1938 mm

Infra Cabin T870 Black Item no. 95109956.

Infra Cabin T870 Grey Item no. 95109966.

INFRA PANEL
BLACK 980 X 360 MM, 150W, 230V
 Item no. 9001 1295
GREY 980 X 360 MM, 150W, 230V
 Item no. 9001 1302
BLACK 980 X 680 MM, 300W, 230V
 Item no. 9001 1298
GREY 980 X 680 MM, 300W, 230V
 Item no. 9001 1304



COMBINATION SAUNA 2 IN 1

Why limit your sauna enjoyment? Enjoy the infrared heat in a traditional Tylö sauna! Our efficient IR panels are in hemlock wood and the fabric is now available in both black and grey. Install as separate panels in an existing traditional sauna room or as a complete set in a separate infrared sauna room.



FOR A MULTI EXPERIENCE

Finnish 100-meter hurdler Nooralotta Neziri, has reached the semifinals in the World Championships and the Olympics, as well as the finals in the European Indoor Championships. In cooperation with TylöHelo, she has built a unique combination of infrared and traditional sauna in her new apartment.

"I couldn't even think about living without a sauna! I use it every week. For me, it's about relaxing, but it's also an effective way of recovering after training. For a long time, I've wanted to have IR-panels. When planning the new sauna, it was very important for me to have the infrared possibility as well."

COLOUR THERAPY

–PSYCHOLOGICAL AND THERAPEUTIC EFFECTS OF COLOUR



RED is the symbol of love and of life itself; with its penetration power, which is the highest of all colours; it is recommended for treatment of impeded circulation, muscles and heart. It generates enthusiasm, arouses passion and has a cheering effect.



YELLOW is a clear purifying colour, which stimulates clarity of intellect, as well as toxin processing and elimination. It can help with learning disabilities and with strengthening of the endocrine functions.



GREEN is a cooling, sedating colour, which helps reduce swelling of joints and tissues; it calms the body and helps reduce inflammation. It's the colour of the relaxed heart.



TURQUOISE is the colour for mental relaxation and tackling embedded psychological barriers. It acts as a tonifier and can help regulate imbalances in the lung and large intestine system. It is a colour that facilitates spiritual growth.



BLUE is a cool colour that has a calming effect, inside as well as on the outside. It is very helpful in treating sleep disorders and headaches, yet also regulates elastic tissues in the organism. It helps in all kinds of cramps and can have an anti-bacterial effect.



VIOLET promotes awareness and consciousness. It increases effects of meditation. It promotes proper functioning of the lymphatic system and is a very helpful in times of menopause. It is the colour for neutralizing emotional wounds and for spiritual growth.

TYLÖ

TYLÖHELO | SAUNA STEAM INFRARED | TYLOHELO.COM